



High-frequency transformer EF12 Series

Parameters/Dimensions:

EF12 Type 1

Information:

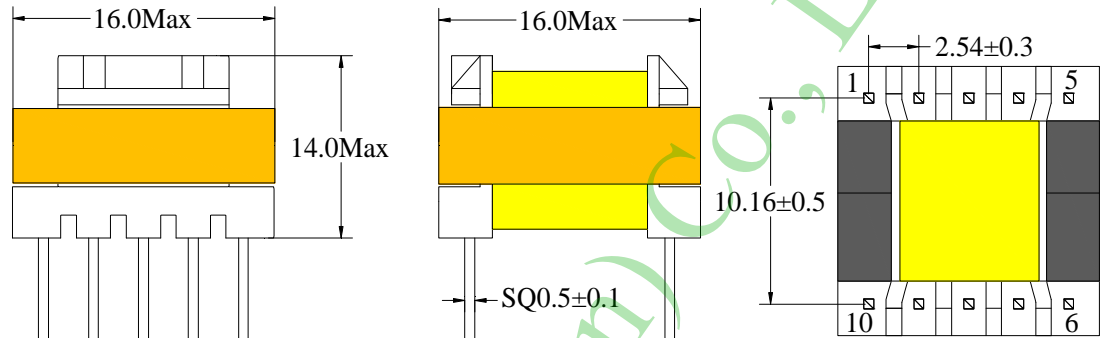
Shape:EF12

1 Power:6W

2 Mounting Orientation: Horizontal

3 Size: 16 (W) * 16 (L) * 14 (H)

4 Effective Ae (mm²): 12.82



EF12 Type 2

Information:

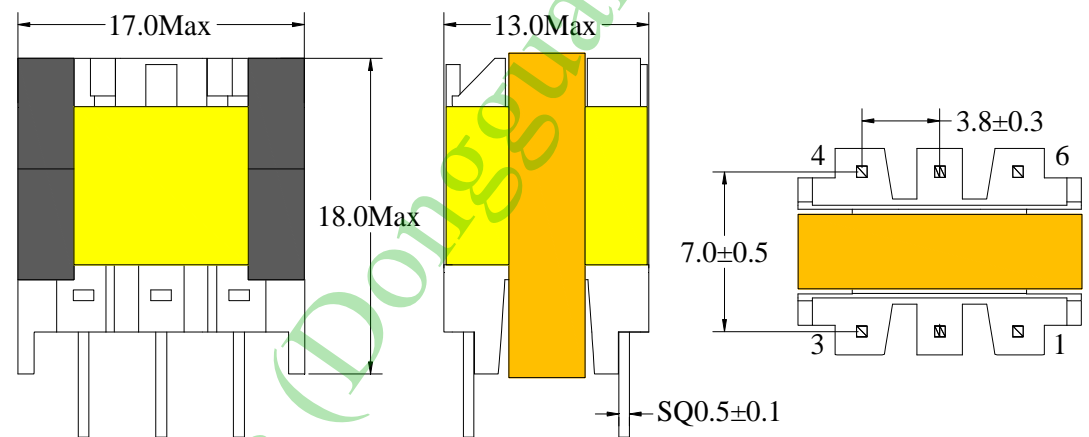
Shape:EF12

1 Power:6W

2 Mounting Orientation: Vertical

3 Size: 17(W) * 13 (L) * 18 (H)

4 Effective Ae (mm²): 12.82



Note:

Bobbin type listed in the traditional style, transformer design parameters to customer needs or to inject prevail.

EF series high-frequency transformer features:

Lead space, easy winding wire. Applicable to a wide range of high frequency, wide operating voltage range, output power, good thermal stability.

Uses:

Program-controlled switches are widely used in power supplies, LCD power supply, UPS power inverter power supply, computer power, energy-saving lamps and other fields.